

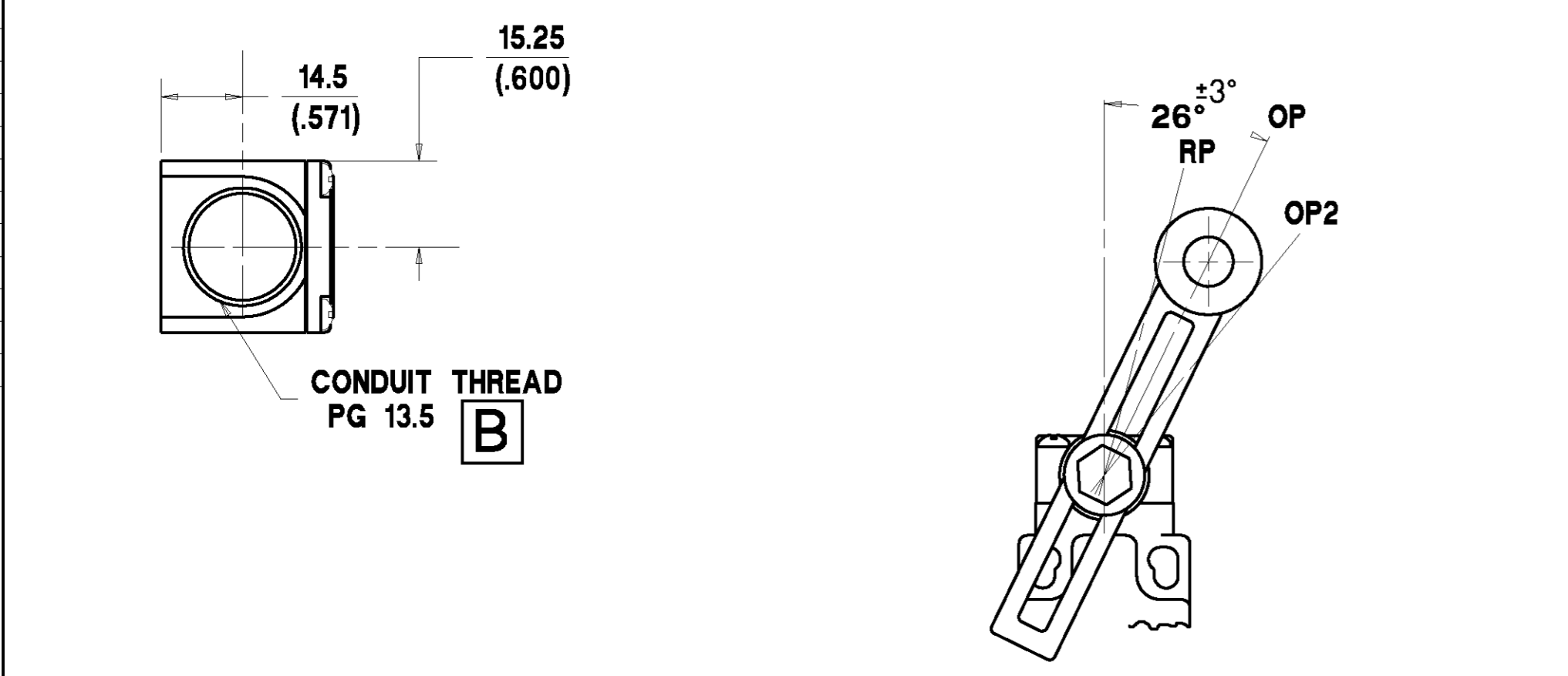
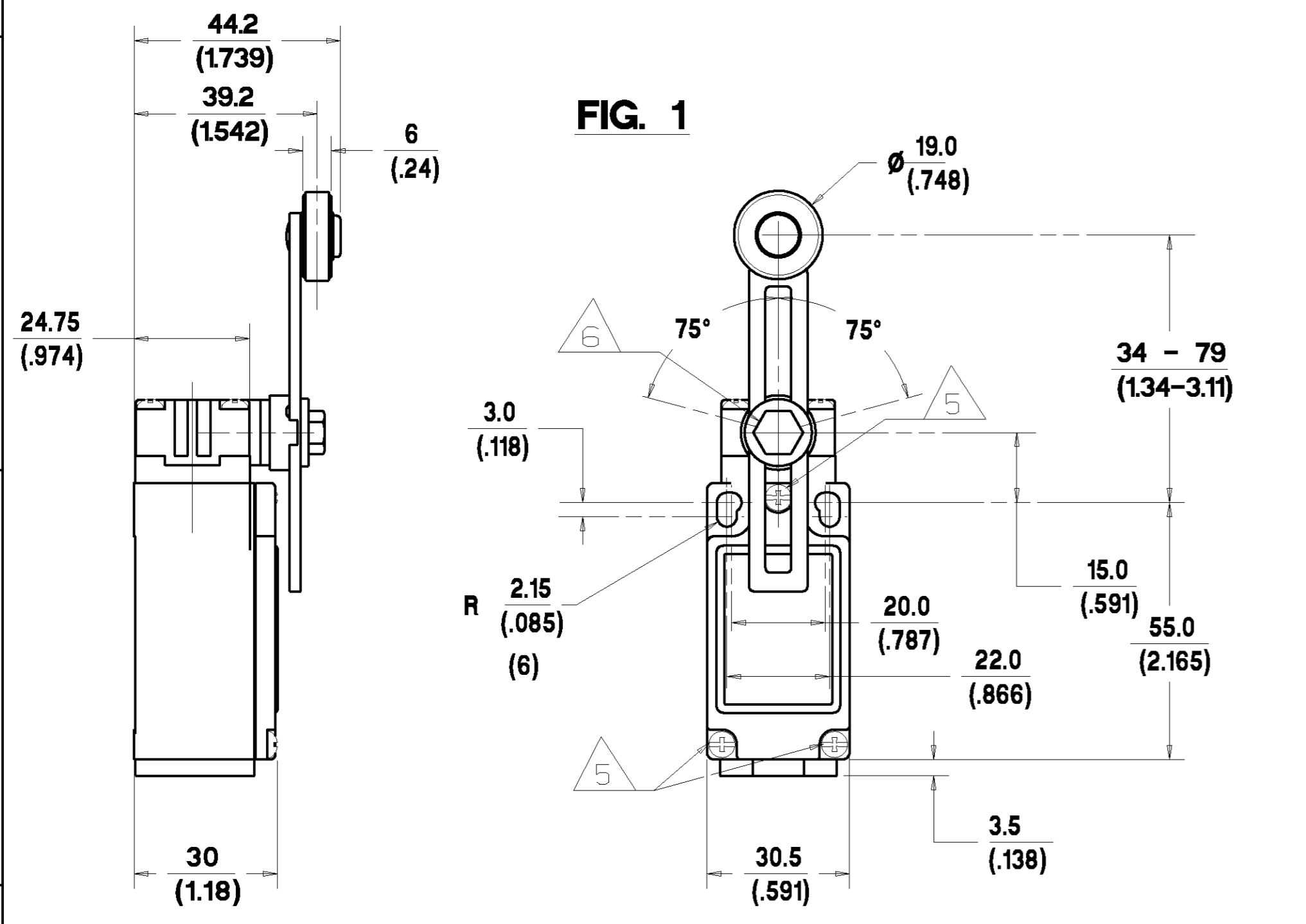
MTG-GL-192

REPLACES
DRAWING NUMBER
AO18-185

REVISIONS
ISSUE
6

Honeywell **LIMIT SWITCH**

CATALOGUE LISTING
GLS
CHART NO.
MTG-GL-192



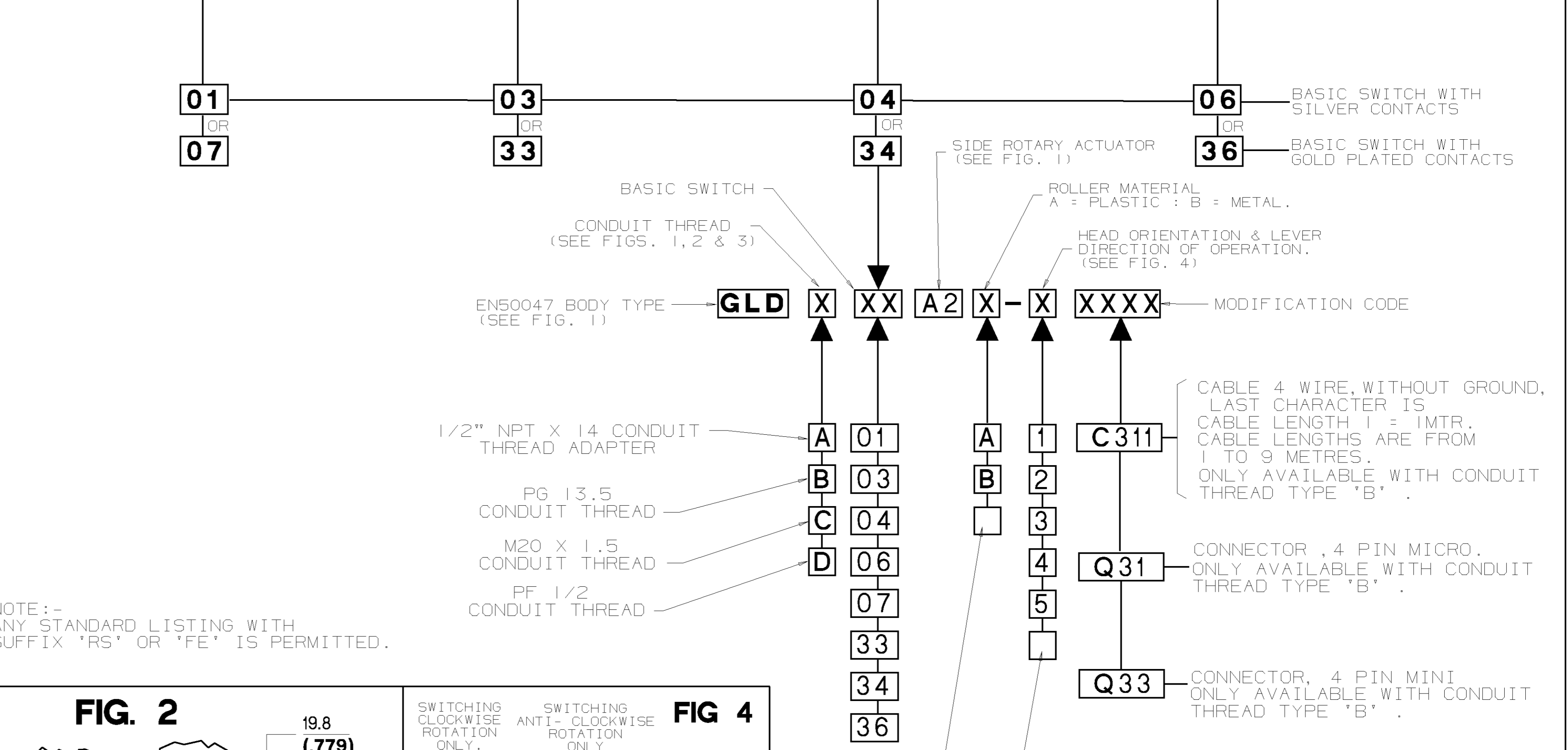
NOTES:-

- MICRO SWITCH BLUE GLASS FILLED POLYESTER HOUSING & COVER. BLACK GLASS FILLED POLYAMIDE HEAD.
- ENCLOSURE DOUBLE INSULATED TO IEC 539 CLASS II.
- MINIMUM OPERATING VELOCITY (V_{min}) = 0.26 rad/s (THESE LIMITS APPLY TO CAM OPERATION AS SHOWN IN THE ABOVE DIAGRAMS ONLY)
MAXIMUM OPERATING VELOCITY (V_{max}) = 25 rad/s
MAXIMUM OPERATING FREQUENCY (F_{max}) = 250 OPS/MIN
- FREE POSITION (FP), OPERATING POINT (OP), OVERTRAVEL (OT) AND PRETRAVEL (PT) ALL TO EN50047.

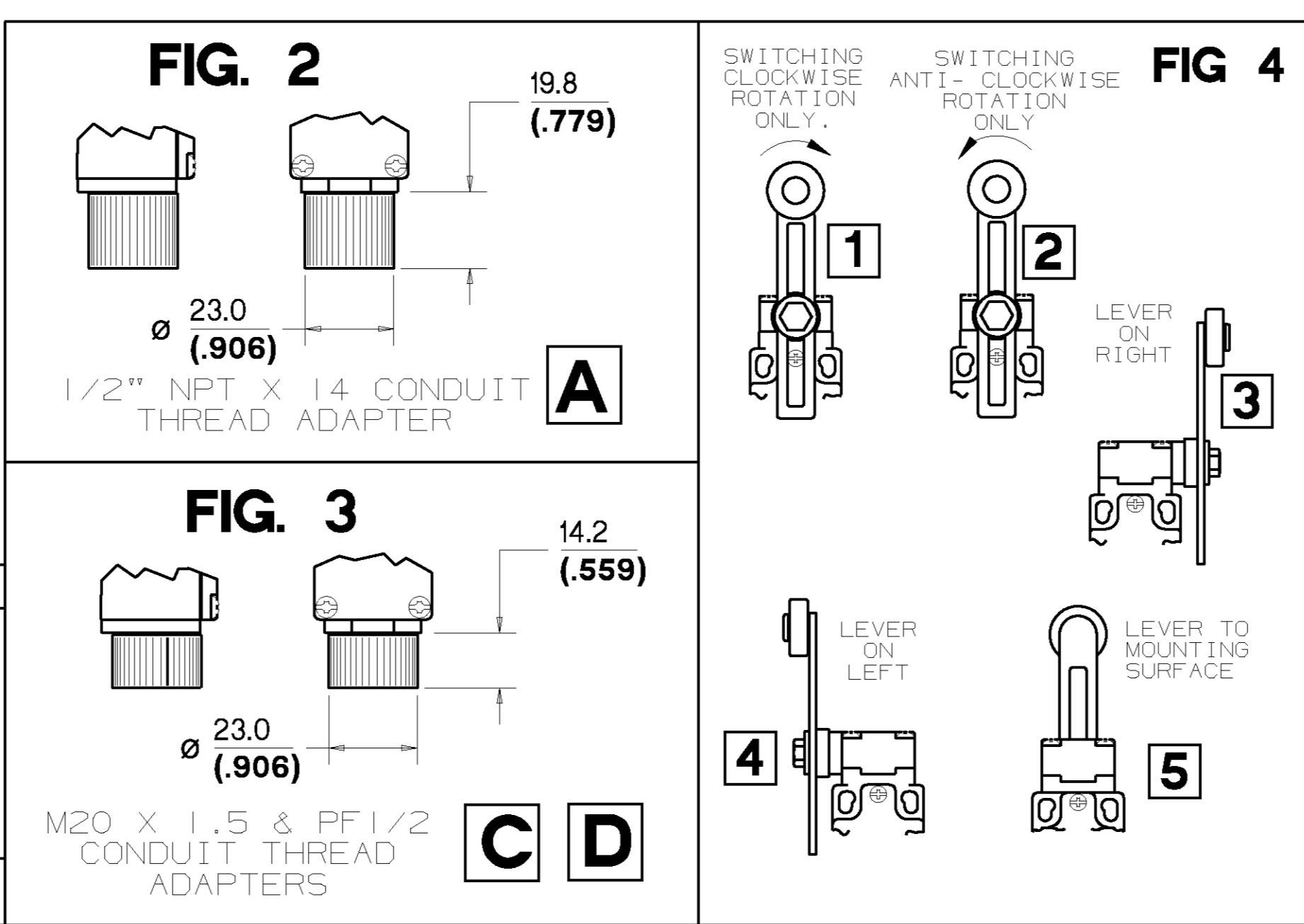
5 MAXIMUM TIGHTENING TORQUE FOR FIXING SCREW = 0.5Nm (4.4in.LB)
6 MAXIMUM TIGHTENING TORQUE FOR FIXING SCREW = 0.8Nm (7in.LB)

NO CHANGES CAN BE MADE TO THIS DRAWING WITHOUT JOINT NEWHOUSE/FREEPORT APPROVAL

CONTACT BLOCK DIAGRAM TERMINAL DESIGNATION TO EN 50013	NOMINAL TRAVELS AND RELATED TERMINALS	NORMAL OPERATING TORQUE MAX	MAXIMUM DISCONNECT TORQUE
SNAP-ACTION CONTACTS	CONTACT CLOSED CONTACT OPEN	120 (l.1)	Nmm (in.lbs)
SLOW-ACTION CONTACTS (BREAK BEFORE MAKE)		110 (l.0)	Nmm (in.lbs)
SLOW-ACTION CONTACTS (MAKE BEFORE BREAK)		110 (l.0)	Nmm (in.lbs)
SLOW-ACTION CONTACTS (2 NORMALLY CLOSED)		110 (l.0)	Nmm (in.lbs)
		140 (l.3)	Nmm (in.lbs)
		160 (l.5)	Nmm (in.lbs)
		170 (l.6)	Nmm (in.lbs)
		150 (l.4)	Nmm (in.lbs)



NOTE:- ANY STANDARD LISTING WITH SUFFIX 'RS' OR 'FE' IS PERMITTED.



NOTE: FOR CONNECTION DIAGRAMS AND ADDITIONAL ELECTRICAL, ENVIRONMENTAL & DIMENSIONAL INFORMATION SEE DRAWING GL-49212.

IEC 947-5-1 ELECTRICAL RATING			ENVIRONMENTAL		APPROVALS
SILVER CONTACTS			GOLD PLATED CONTACTS		UL IEC 947-5-1 EN50047
AC	AC (FOR 2NC)	DC	IP66	NEMA 1, 4, 12, 13	
A600 AC15 Ue Ie	A500 AC15 Ue Ie	0300 DC13 Ue Ie	TEMP RANGE : -25°C TO 85°C -13°F TO 185°F		
240 5 380 1.5	240 5 380 1.5	120 5 250 0.27	STORAGE : -40°C TO 85°C -40°F TO 185°F		
480 1.4	480 1.4		SHOCK : 50G PER IEC 68-2-27		
600 1.2	600 1.4		VIBRATION : 10G PER IEC 68-2-6		
I _{th} = 10A					
1V 10µA MIN.					
50V 100mA MAX.					

SCALE: DIMENSIONS ARE IN MM/INCHES. MODIFY ON CAD SYSTEM ONLY

DRAWN: M. LOCH
CHECK: I. WEIR
DESIGN: J. BOYD
AUTHOR: P. TRICKETT